

## 47-PRO VARIO EDV-NR. SA321520



### Dokumente

Gehäuse, Motor, Lüfter, Mähwerk und Antrieb

---

Getriebe Höhenverstellung und Räder

---

Führung, Anlasser und Schaltgestänge

---

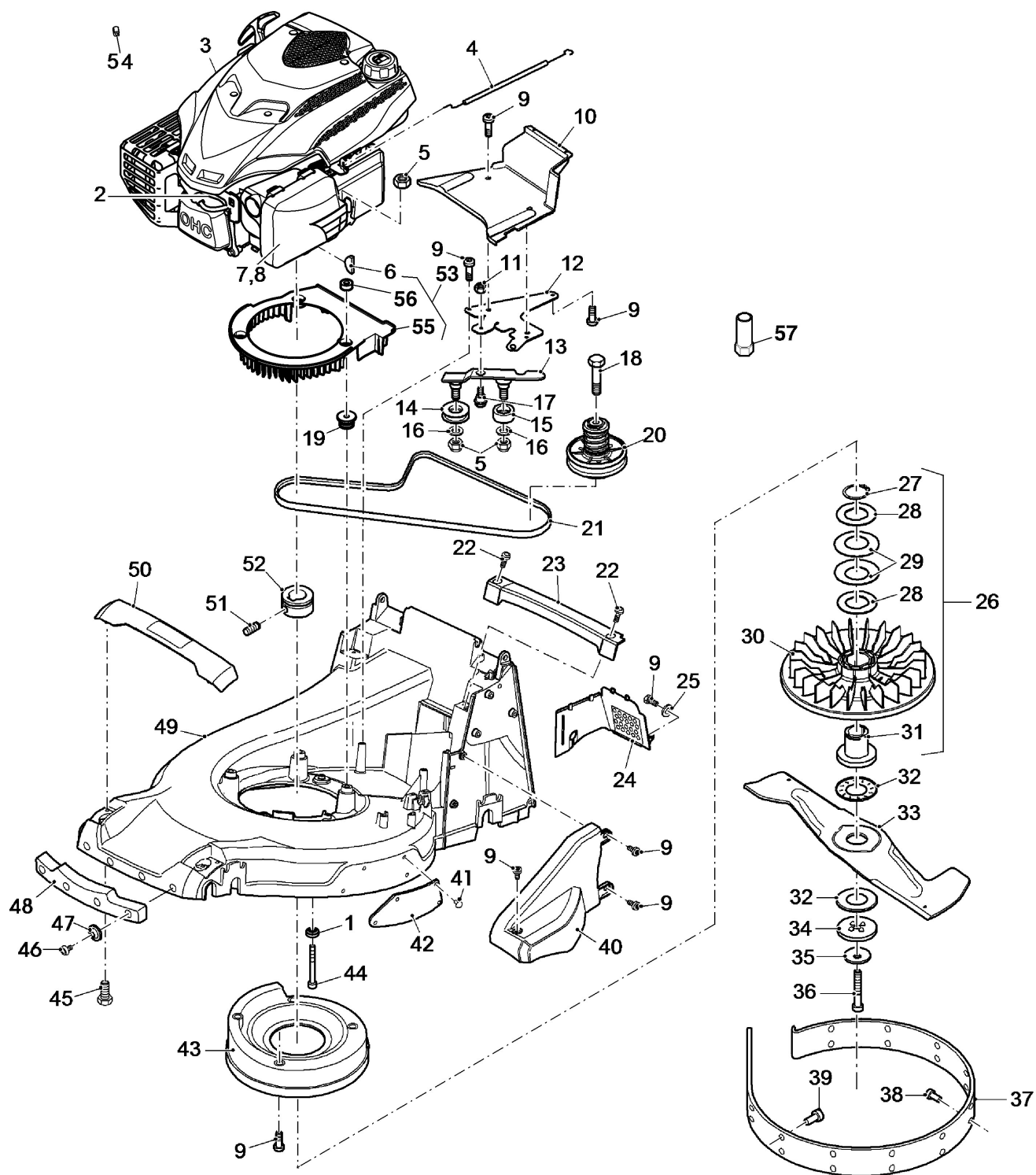
Grasfangbehälter

---

Aufkleber

---

Illustration Gehäuse, Motor, Lüfter, Mähwerk und Antrieb



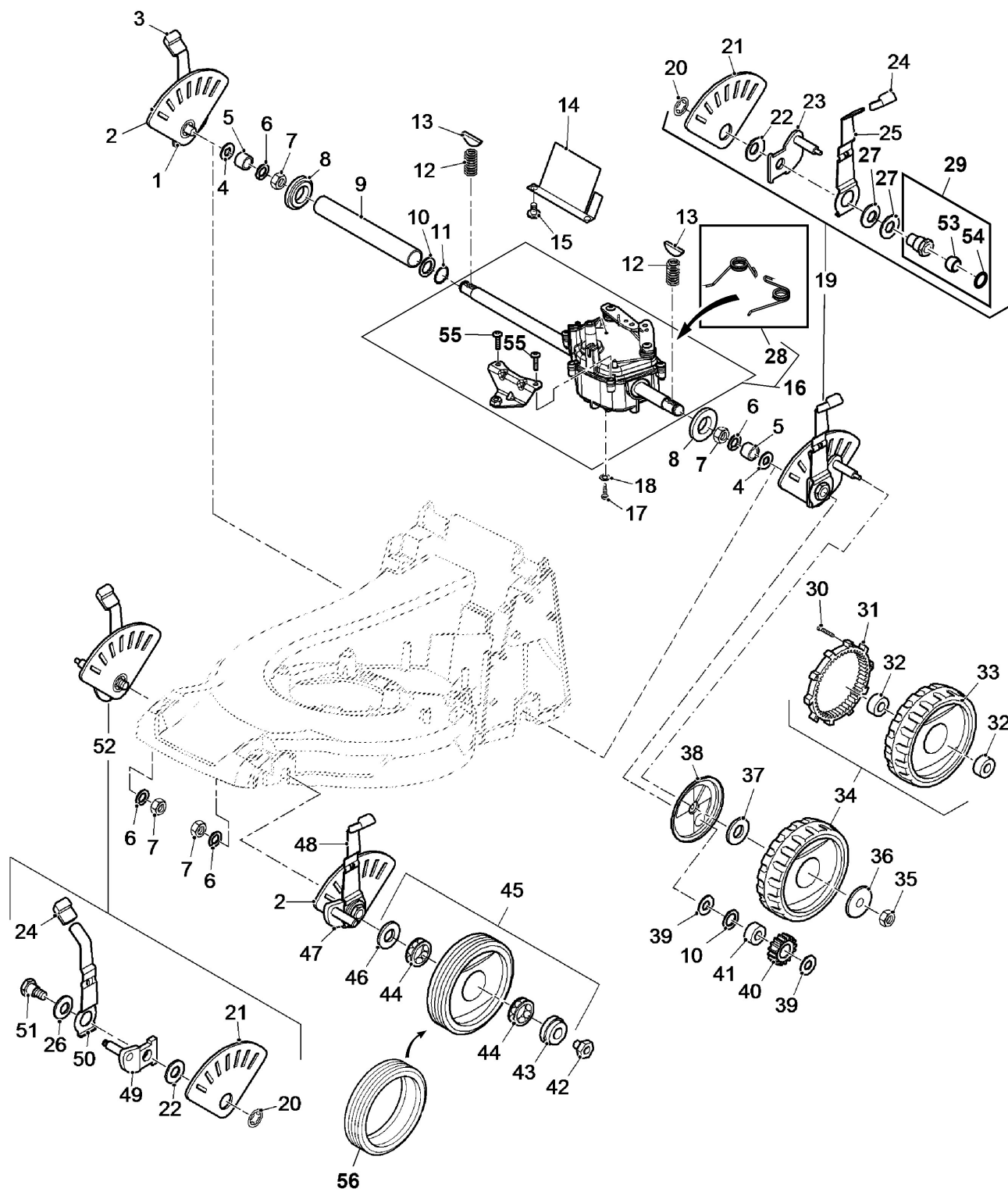
PU41209

## Illustration Gehäuse, Motor, Lüfter, Mähwerk und Antrieb

TEIL	STCK.NR	BEZEICHNUNG	STCK.SER-NR.-	-SER-NR.	BEMERKUNG
1	SAU14842	SCHWINGUNGSDÄMPFER	3		
2	SAU15939	ZUENDKERZE	1		
3	SAA16142	BENZINMOTOR	1		
4	SAU15903	SEILZUG	1		FOR ENGINE BRAKE
5	14M7327	SICHERUNGSMUTTER	5		M8 ONLY AVAILABLE AS PACKAGED SETS
6	SA26554	KEIL	2		4.77 X 6 ONLY AVAILABLE
7	SAU15985	LUFTFILTER-ZUSB.	1		PAPER
8	SAU15986	LUFTFILTER-ZUSB.	1		FOAM
9	SA34452	SCHRAUBE	13		C M6 X 14 DUO TAPTITE; ONLY AVAILABLE AS PACKAGED SETS
10	SAU12417	BLLENDE	1		
11	14M7165	SICHERUNGSMUTTER	1		M6 ONLY AVAILABLE AS PACKAGED SETS
12	SAU16187	SCHUTZ	1		
13	SAU13473	KONSOLE	1		
14	SAA15190	SPANNROLLE	1		INCLUDES SAU14896
15	SAA15189	SPANNROLLE	1		INCLUDES SAU14895
16	24M7055	UNTERLEGSCHLEIBE	2		8.400 X 16 X 1.600 MM
17	M92004	SECHSKANTSCHRAUBE	1		M6 X 13.3 ONLY AVAILABLE AS PACKAGED SETS
18	SAU15658	SCHRAUBE	1		M6 X 60
19	SAU14841	SCHWINGUNGSDÄMPFER	3		
20	SAA12549	RIEMENSCHLEIBE	1		INCLUDES SAU15658
21	SAU13698	KEILRIEMEN	1		
22	SA36124	SCHRAUBE	2		C M6 X 30 DUO TAPTITE;
23	SAU13695	GRIFF	1		
24	SAU13368	ABDECKUNG	1		
25	SA35803	DISTANZSTÜCK	1		
26	SAA12582	LÜFTER	1		INCLUDES SA15746 , (2)
27	SA15746	SPRENGRING	1		35 X 1.5 MM ONLY AVAILABLE AS PACKAGED SETS
28	SAU10749	UNTERLEGSCHLEIBE	2		ONLY AVAILABLE AS SETS
29	SAU10751	TELLERFEDER	2		
30	SAU13308	LÜFTER	1		
31	SAU13178	FLANSCH	1		
32	SA35386	BELAG	2		ONLY AVAILABLE AS
33	SAA12332	MÄHMESSER	1		
34	SA35385	SCHLEIBE	1		ONLY AVAILABLE AS
35	SA34499	SCHLEIBE	1		ONLY AVAILABLE AS PACKAGED SETS
36	SA17490	SCHRAUBE	1		UNF 3/8 X 63.5
37	SAA12526	SICHERUNGSBLECH	1		
38	R55326	NIET	6		4.8 X 16.9 MM ONLY
39	SAU16869	NIET	10		
40	SAU13174	DECKEL	1		
41	SAU10613	NIET	8		

## Illustration Gehäuse, Motor, Lüfter, Mähwerk und Antrieb

TEIL	STCK.NR	BEZEICHNUNG	STCK.SER-NR.-	-SER-NR.	BEMERKUNG
42	SAU13168	BLECH	2		
43	SAA16353	LÜFTERHAUBE	1		
44	SA30647	SCHRAUBE	3		M8 X 75 ONLY AVAILABLE
45	SA37452	SCHRAUBE	2		K 60 X 20 MM ONLY
46	SA35503	SCHRAUBE	4		AVAILABLE AS PACKAGED SETS
47	SAU10752	BÜCHSE	4		ONLY AVAILABLE AS PACKAGED SETS
48	SAU13169	PUFFER	1		
49	SAA12402	GEHÄUSE	1		INCLUDES SAA12526 , (6)
50	SAA12488	GRIFF	1		R55326 , (10) SAU16869 , (2) SAU13168 AND (8)
51	SA15776	STELLSCHRAUBE	1		M6 X 16 ONLY AVAILABLE AS PACKAGED SETS
52	SAU16511	RIEMENSCHLEIBE	1		
53	SAA12598	RING	1		INCLUDES SAU16534 AND (3) SAU16533
54	SAU14027	KLEMME	1		
55	SAU16534	SCHUTZ	1		
56	SAU16533	BÜCHSE	3		
57	SA35231	SCHLÜSSEL	1		
58	BSA631	MULCHKIT	1		NOT ILLUSTRATED



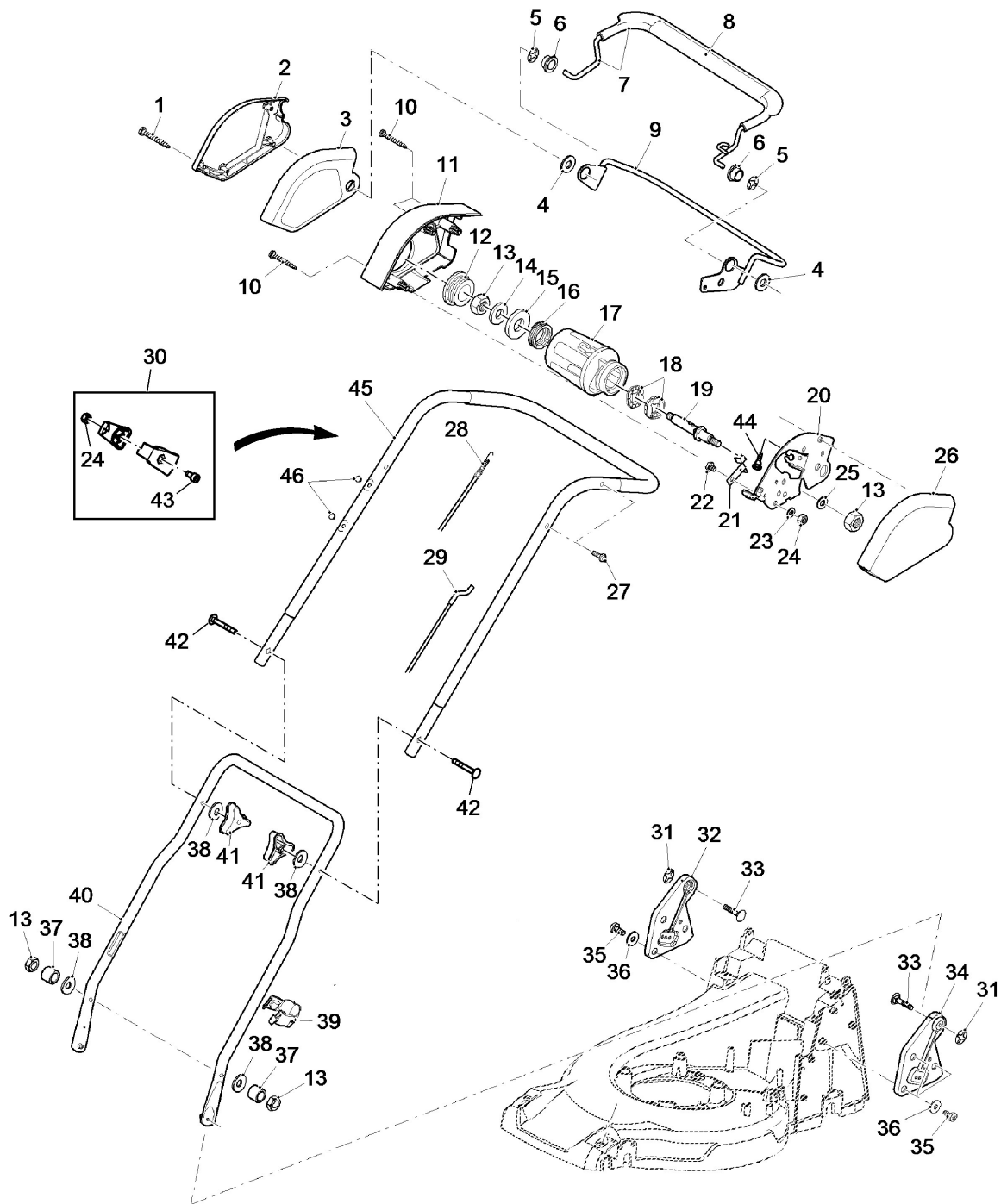
PU41210

## Illustration Getriebe Höhenverstellung und Räder

TEIL	STCK.NR	BEZEICHNUNG	STCK.SER-NR.-	-SER-NR.	BEMERKUNG
1	SAA37196	ACHSSCHENKEL	1		INCLUDES SA37198 AND 14M7327 REAR RH
2	SAU13171	SEGMENT	2		FRONT AND REAR LH
3	SAA11486	VERSTELLVORRICHTUNG	1		INCLUDES SAA11457 , SAU14363 SAU14212 SA30913 SA12227
4	SA15223	UNTERLEGSCHIEBE	2		ONLY AVAILABLE AS
5	SAU13291	UNTERLEGSCHIEBE	2		ONLY AVAILABLE AS
6	SA15256	FEDERSCHIEBE	4		SAA37196 SA12230 SAU13171 AND SA12227
7	14M7257	MUTTER	4		M20 ONLY AVAILABLE AS
8	SA30314	KAPPE	2		PACKAGED SETS ONLY AVAILABLE AS
9	SAU16383	ROHR	1		
10	SA13912	SCHEIBE	3		ONLY AVAILABLE AS
11	SAU13965	O-RING	1		
12	PT12522	DRUCKFEDER	2		ONLY AVAILABLE AS
13	GC00279	KEIL	2		ONLY AVAILABLE AS
14	SAU13475	BLECH	1		PACKAGED SETS
15	SA34452	SCHRAUBE	2		C M6 X 14 DUO TAPTITE, ONLY AVAILABLE AS
16	SAA13193	GETRIEBE	1		INCLUDES SAA12032 AND PACKAGED SETS
17	24M7139	UNTERLEGSCHIEBE	1		6.400 X 18 X 1.600 MM ONLY AVAILABLE AS
18	SAU11984	SCHRAUBE	1		ONLY AVAILABLE AS
19	SAA11487	VERSTELLVORRICHTUNG	1		PACKAGED SETS
20	SA12227	FEDERMUTTER	4		INCLUDES SAA11457 , SAU14363 SAU14212 SA30913 SA12227
21	SAU13170	SEGMENT	2		FRONT AND REAR RH
22	SA12230	SCHEIBE	4		SAA37196 SA12230 SAU13170 AND SA12227
23	SAA37195	ACHSSCHENKEL	1		INCLUDES SA37198 AND 14M7327 REAR LH
24	SA34380	KAPPE	4		ONLY AVAILABLE AS
25	SAU13284	HEBEL	2		REAR
26	SA12223	TELLERFEDER	4		24 X 45 X 0.8 ONLY
27	SA30913	SCHEIBE	2		ONLY AVAILABLE AS
28	SAA12032	FEDER	1		PACKAGED SETS
29	SAA11457	BOLZEN	2		INCLUDES SAU14363 AND SAU14212
30	SAU13687	SCHRAUBE	10		M5 X 30
31	SAU13462	RITZEL	2		
32	SA12247	HÜLSE	4		ONLY AVAILABLE AS
33	SAU13307	REIFEN	2		
34	SAA11209	RAD KPL. MIT BEREIFUNG	2		REAR, INCLUDES (5)
35	14M7327	SICHERUNGSMUTTER	2		M8 ONLY AVAILABLE AS
36	SAU10604	KAPPE	2		PACKAGED SETS ONLY AVAILABLE AS
37	SA13926	UNTERLEGSCHIEBE	2		16.5 X 28 X 0.5 MM (0.650" X 1.102" X 0.02") ONLY
38	SAU12767	ABDECKUNG	2		AVAILABLE AS PACKAGED
39	GX21749	SPRENGRING	4		14 X 1 MM
40	SAU11770	RITZEL	2		
41	SAU14769	UNTERLEGSCHIEBE	2		12.75 X 18 X 3 MM

## Illustration Getriebe Höhenverstellung und Räder

TEIL	STCK.NR	BEZEICHNUNG	STCK.SER-NR.-	-SER-NR.	BEMERKUNG
42	SA12624	MUTTER	2		M8
43	SAU10600	KAPPE	2		ONLY AVAILABLE AS PACKAGED SETS
44	JD8653	KUGELLAGER	4		6003 2RS DIN 625
45	SAA13181	RAD KPL. MIT BEREIFUNG	2		FRONT
46	24M7228	UNTERLEGSCHIEBE	2		15 X 21 X 1.300 MM ONLY
47	SAA13363	ACHSSCHENKEL	1		FRONT LH
48	SAA11204	VERSTELLVORRICHTUNG	1		INCLUDES SA12746 ,
49	SAA13364	ACHSSCHENKEL	1		FRONT RH
50	SA31465	HEBEL	2		SA12746 , SAU13171 AND SAU13170
51	SA12746	BOLZEN	2		
52	SAA11205	VERSTELLVORRICHTUNG	1		INCLUDES SA12746 ,
53	SAU14363	KUGEL	2		
54	SAU14212	O-RING	2		SAU13170 AND SAU13171
55	SA34450	SCHRAUBE	2		C M6X10 ONLY AVAILABLE AS PACKAGED SETS
56	SAU13186	REIFEN	2		CONTAINS ONLY TIRE



PU41211



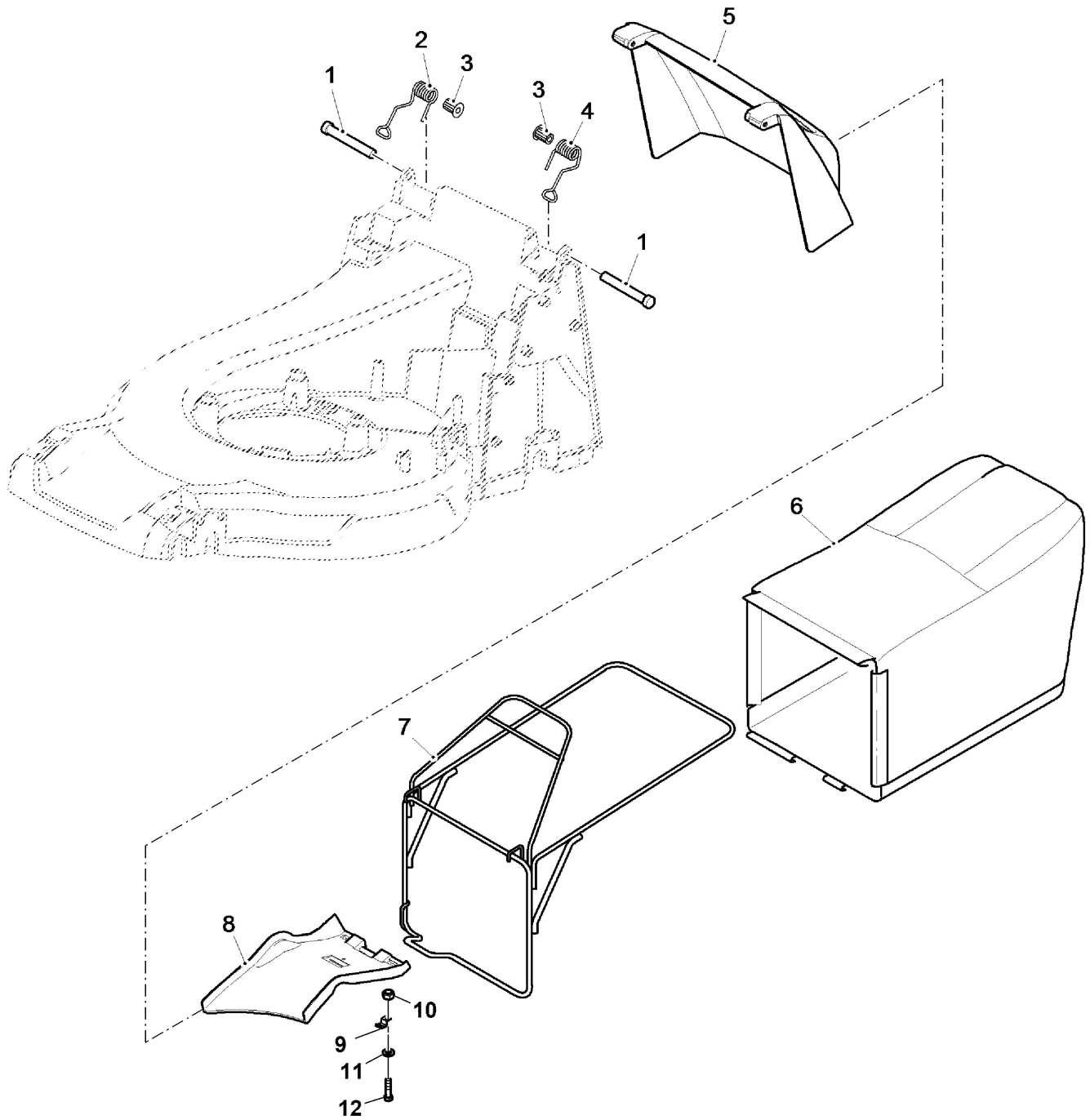
## Illustration Führung, Anlasser und Schaltgestänge

TEIL	STCK.NR	BEZEICHNUNG	STCK.SER-NR.-	-SER-NR.	BEMERKUNG
1	SAU12363	SCHRAUBE	4		4 X 25 MM ONLY
2	SAU12114	ABDECKUNG	1		AVAILABLE AS PACKAGED SETS OUTER RH
3	SAU12115	ABDECKUNG	1		INNER RH
4	SAU14229	UNTERLEGSCHLEIBE	2		20.2 X 28 X 1.5 MM ONLY
5	SA36975	FEDERMUTTER	2		D16 MM ONLY AVAILABLE AS PACKAGED SETS
6	SAU12643	BÜCHSE	2		
7	SAA11620	BÜGEL	1		INCLUDES SAU14283 ; FOR ENGINE BRAKE
8	SAU14283	GRIFF	1		
9	SAA12571	BÜGEL	1		FOR GROUND SPEED DRIVE
10	SA16268	SCHRAUBE	3		4 X 32 MM ONLY
11	SAU13039	ABDECKUNG	1		INNER LH
12	SAU11822	DECKEL	1		ONLY AVAILABLE AS
13	14M7327	SICHERUNGSMUTTER	4		M8 ONLY AVAILABLE AS PACKAGED SETS
14	24M7298	SA15213	1		8.400 X 25 X 2 MM ONLY
15	SAU13757	SCHEIBE	1		12.2 X 24 X 1.3 MM
16	SAU13045	FEDER	1		ONLY AVAILABLE AS
17	SAU13139	KNOPF	1		MOVING SPEED
18	SAU13043	SCHEIBE	2		ONLY AVAILABLE AS
19	SAU13044	WELLE	1		
20	SAU14399	BLECH	1		LH
21	SAU13745	BLECH	1		
22	19M8425	SECHSKANTSCHRAUBE	1		M6 X 16 ONLY AVAILABLE
23	24M7054	UNTERLEGSCHLEIBE	1		6.400 X 12 X 1.600 MM ONLY AVAILABLE AS PACKAGED SETS
24	14M7165	SICHERUNGSMUTTER	2		ONLY AVAILABLE AS PACKAGED SETS
25	24M7055	UNTERLEGSCHLEIBE	1		8.400 X 16 X 1.600 MM ONLY AVAILABLE AS PACKAGED SETS
26	SAU12112	ABDECKUNG	1		ONLY AVAILABLE AS PACKAGED SETS OUTER RH
27	SAU11315	SCHRAUBE	2		M6 X 35 ONLY AVAILABLE AS PACKAGED SETS
28	SAU13733	SEILZUG	1		FOR GROUND SPEED
29	SAU13734	SEILZUG	1		MOVING SPEED
30	SAA11367	FÜHRUNG	1		INCLUDES 14M7165 AND
31	SA34282	FEDERMUTTER	2		8 MM ONLY AVAILABLE AS PACKAGED SETS
32	SAU13654	HALTER	1		RH
33	SAU13886	SCHRAUBE	2		M8 X 55
34	SAU13655	HALTER	1		LH
35	SAU12503	SCHRAUBE	6		C M6 X 25 DUO TAPTITE; ONLY AVAILABLE AS PACKAGED SETS
36	24M7139	UNTERLEGSCHLEIBE	6		6.400 X 12 X 1.600 MM ONLY AVAILABLE AS PACKAGED SETS
37	SA35927	DISTANZSTÜCK	2		8.5 X 16 X 11 ONLY AVAILABLE AS PACKAGED SETS
38	SA30444	SCHEIBE	4		ONLY AVAILABLE AS PACKAGED SETS
39	SAU16724	KLEMME	2		22 MM
40	SAA11627	FÜHRUNG	1		INCLUDES SAU14060 ;
41	SA29799	MUTTER	2		8 MM

## Illustration Führung, Anlasser und Schaltgestänge

---

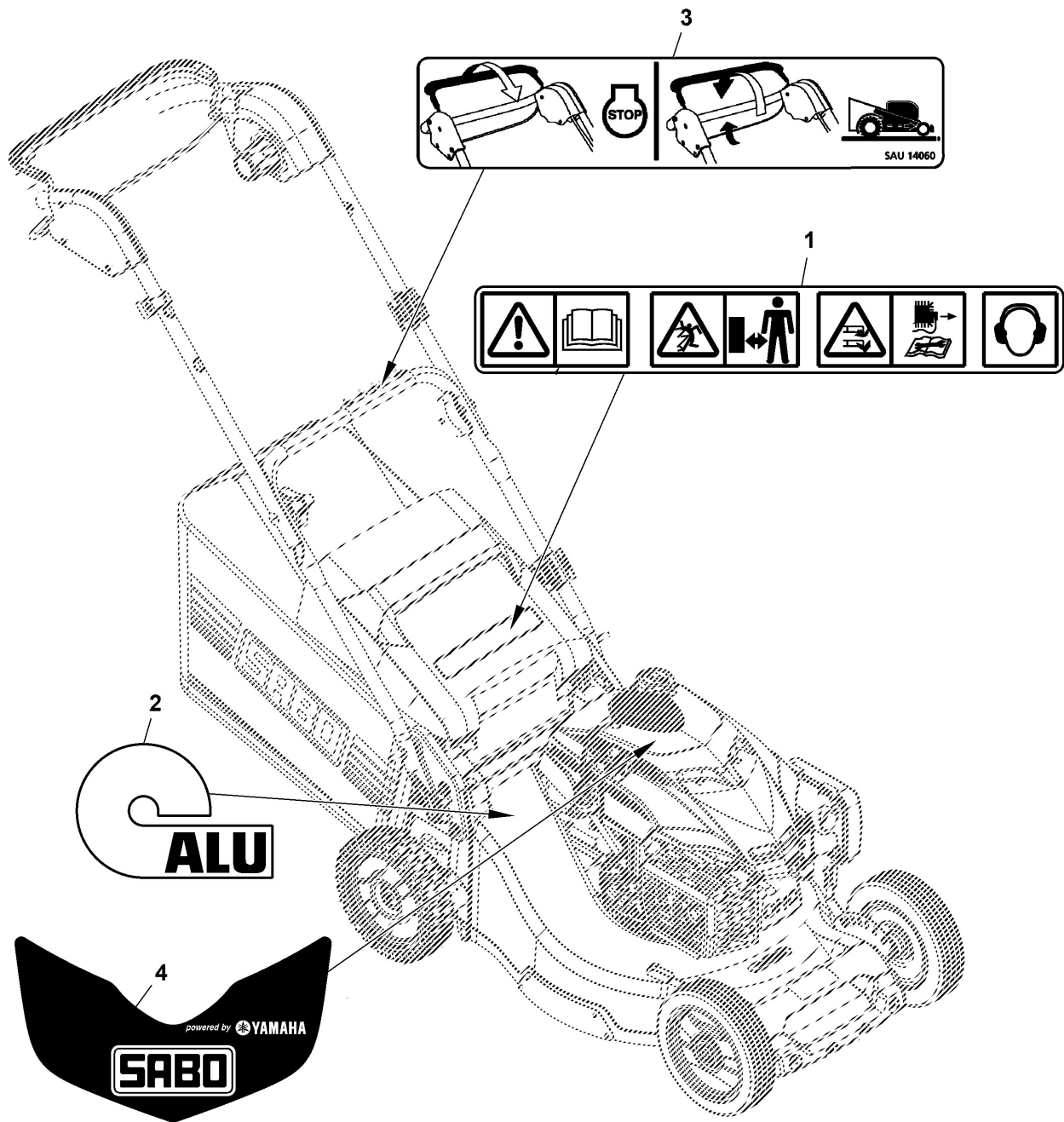
TEIL	STCK.NR	BEZEICHNUNG	STCK.SER-NR.-	-SER-NR.	BEMERKUNG
42	SAU15751	SCHRAUBE	2		
43	19M8618	SCHRAUBE	1		M6 X 12 ONLY AVAILABLE AS PACKAGED SETS
44	SAU14398	DÄMPFER	1		
45	SAA12023	FÜHRUNG	1		UP
46	SA34099	STOPFEN	2		ONLY AVAILABLE AS PACKAGED SETS



PU41247

## Illustration GrASFangbehälter

TEIL	STCK.NR	BEZEICHNUNG	STCK.SER-NR.-	-SER-NR.	BEMERKUNG
1	SAU16705	SCHRAUBE	2		
2	SAU12543	FEDER	1		RH; ONLY AVAILABLE AS
3	SAU12699	BÜCHSE	2		ONLY AVAILABLE AS
4	SAU12542	FEDER	1		PACKAGED SETS LH; ONLY AVAILABLE AS
5	SAU12698	PRALLSCHUTZ	1		
6	SAA12228	GRASFANGBEHÄLTER	1		
7	SAA11673	RAHMEN	1		
8	SAU13480	RUTSCHE	1		
9	SA17715	FEDERKLEMME	1		
10	14M7139	MUTTER	1		M4 ONLY AVAILABLE AS
11	24M7117	UNTERLEGSCHIEBE	1		4.300 X 9 X 0.800 MM ONLY AVAILABLE AS
12	21M7209	SCHRAUBE	1		M4 X 10 ONLY AVAILABLE PACKAGED SETS
13		NIET	1		NLA; ORDER 21M7209 , 24M7117 AND 14M7139



PU41242

## Illustration Aufkleber

---

TEIL	STCK.NR	BEZEICHNUNG	STCK.SER-NR.-	-SER-NR.	BEMERKUNG
1	SAU16306	AUFKLEBER	1		
2	SA37043	AUFKLEBER	1		ONLY AVAILABLE AS
3	SAU14060	AUFKLEBER	1		
4	SAU16443	AUFKLEBER	1		